

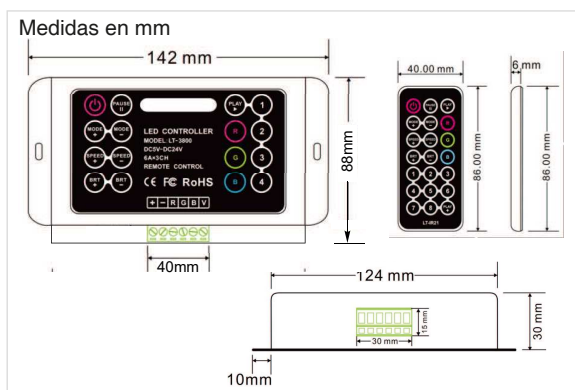
CTRSCNRGB

Controlador de escenas RGB

Producto



Dimensiones



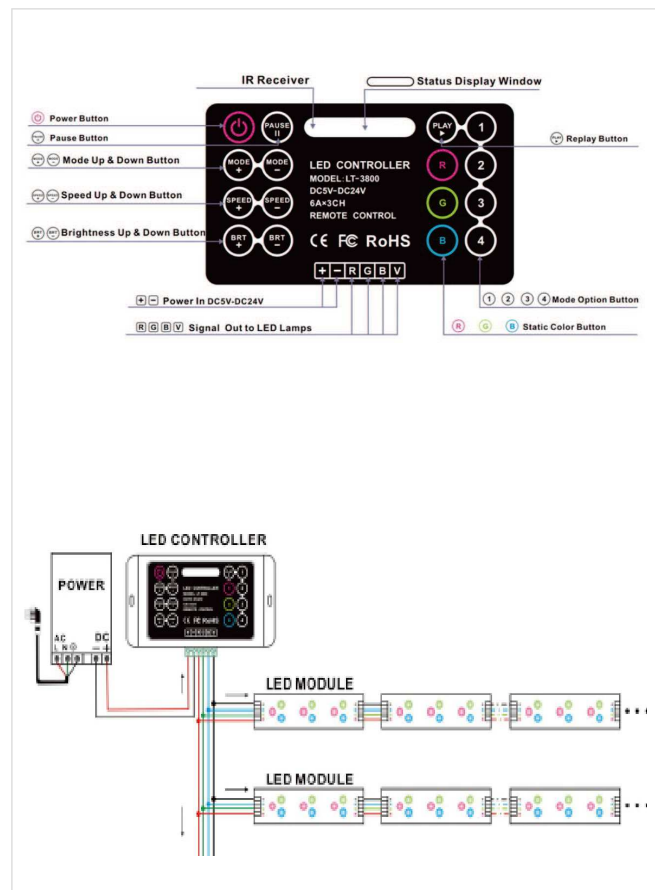
Datos Técnicos

Entrada:	DC5V~DC24V
Salida:	6A por canal (Total 18A) 220W (12V) 432W (24V)
Canales:	3 (R, G, B)
Rango de Regulacion:	1~12Vdc 1~24Vdc
Regulacion de brillo:	16 niveles por canal
Escala de colores:	256 niveles por canal
Modos de cambio:	18 modos
Max recepcion IR:	10 Metros
Mando a distancia:	Por Infrarrojos Utiliza 2 pilas tipo boton AG10
Temp. Trabajo:	-20°C +50°C
Dimensiones:	142 x 88 x 30 mm
Peso:	350 gramos
Grado de IP:	IP20
Certificaciones:	CE, RoHS

Características

- Protección contra cambio de polaridad.
- Selección automática del voltaje de entrada 5 - 24Vdc.
- Nueva tecnología de control PWM, gran estabilidad sin parpadeos.
- No utilizar para más de 6A por canal
- Utilizar fuentes de alimentación estabilizadas.
- Mantener la conexión RGB lo más corta posible a las cargas, para evitar caídas de tensión.
- No cortocircuitar nunca los cables de entrada y salida de las señales.
- Utilizar siempre el mismo voltaje en las fuentes de alimentación y en las tiras o lámparas Led.

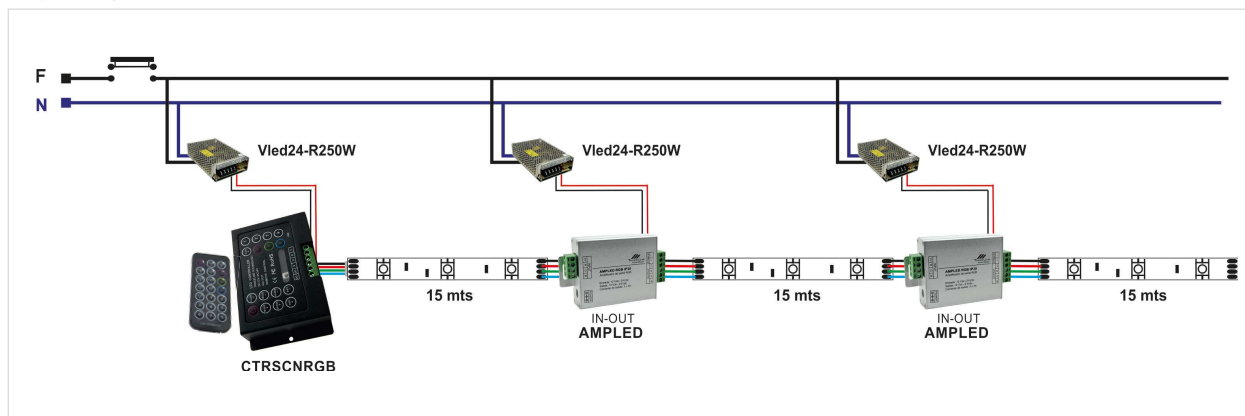
Conexión



CTRSCNRGB

Controlador de escenas RGB

Ejemplo de Instalacion



Modos de Funcionamiento

Sign	Button	Description	Sequence	Modes	Description	Remark
	ON /OFF	Turn on/off the controller Any button can start the controller at off status.	1	Static red	Normally on red	Brightness adjustable
	PAUSE	Press this button will rest at current color, press it again, will continue to change.	2	Static green	Normally on green	Brightness adjustable
	MODE+ MODE-	Press them to select next mode or back to previous mode, press MODE+ or press MODE- over 3s to enter cycle mode.	3	Static blue	Normally on blue	Brightness adjustable
	SPEED+ SPEED-	Press them to quicken or slower speed, press SPEED+ or SPEED- over 3s, current speed is restored to Default status.	4	Static yellow	Normally on yellow	Brightness adjustable
	BRT+ BRT-	Press them to increase or decrease brightness, press any one over 3s, current brightness is restored to Default status.	5	Static purple	Normally on purple	Brightness adjustable
	DIY modes	Press them over 3s, LED flickers twice, then remember current change mode on this button, it can save 4 modes, just press it once then enter into pre-setup mode.	6	Static cyan	Normally on cyan	Brightness adjustable
	DIY modes of remote	Press them over 3s, LED flickers twice, then remember the current mode on this button, it can save 8 modes, later can reach your pre-setup mode by just pressing it once.	7	Static white	Normally on white	Brightness adjustable
	PLAY	Cycle play the 4 pre-setup modes in controller.	8	3-color skipping	Red, green and blue 3-color skipping	Brightness and speed adjustable
	PLAY+	Cycle play the 8 pre-setup modes in IR remote controller.	9	7-color skipping	Red, green, blue, yellow, purple, cyan, white 7-color skipping	Brightness and speed adjustable
	RGB Dimming	0-100% dimming per RGB, 16 levels of brightness per RGB, you can get kinds of color effects. R16×B16×G16` 4096, you can mix 4096 static colors.	10	White color strobe	White^ with all red, green and blue on v strobe	Brightness and speed adjustable
			11	3-color smooth	RGB 3-color gradual changes	Brightness and speed adjustable
			12	Full color smooth	All 7-color gradual changes	Brightness and speed adjustable
			13	RG color smooth	Red, green 2-color gradual changes	Brightness and speed adjustable
			14	RB color smooth	Red, blue 2-color gradual changes	Brightness and speed adjustable
			15	GB color smooth	Green, blue 2-color gradual changes	Brightness and speed adjustable
			16	White color fade & change	white^ with red, green & blue on v gradual bright & fade	Brightness and speed adjustable
			17	Great cycle	All changing modes overlap cycle	/
			18	RGB static dimming	0-100% dimming per RGB	16 levels of brightness per RGB